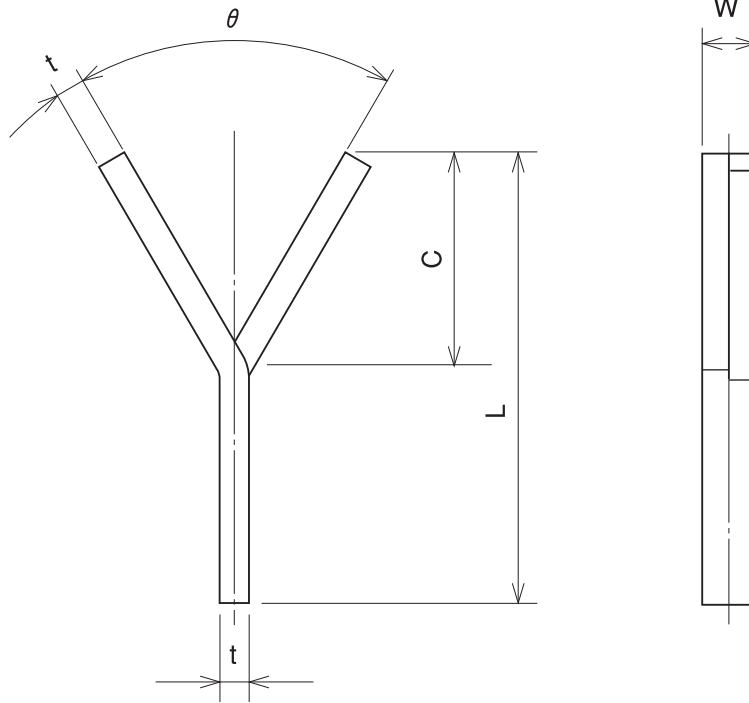
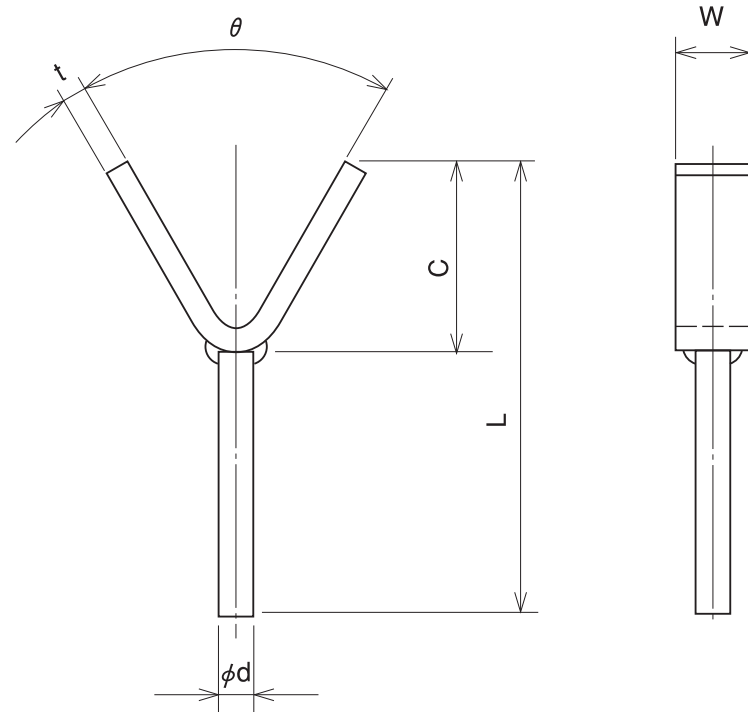


YM1



YM1	Type indication	θ -YM1-t-W-C-L
-----	-----------------	-----------------------

YM2



YM2	Type indication	θ -YM2-t-W-C- ϕ d-L
YM2F	Type indication	θ -YM2F-t-W-C- ϕ d-L

Plate Y anchor metal

YM1. YM2

Drawing No.

143

NAMITAKIKO CO., LTD.