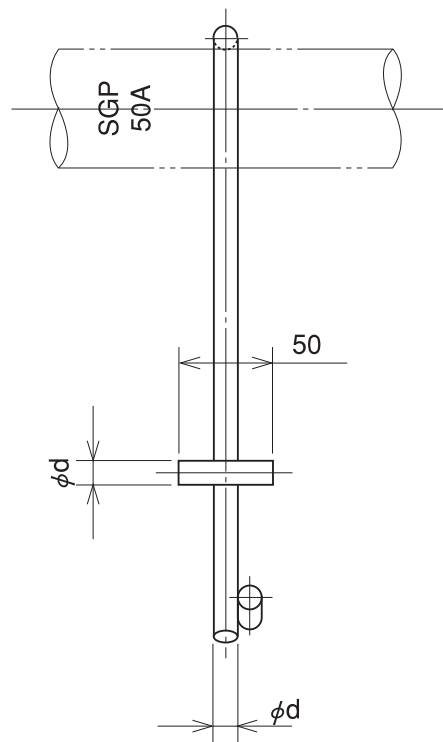
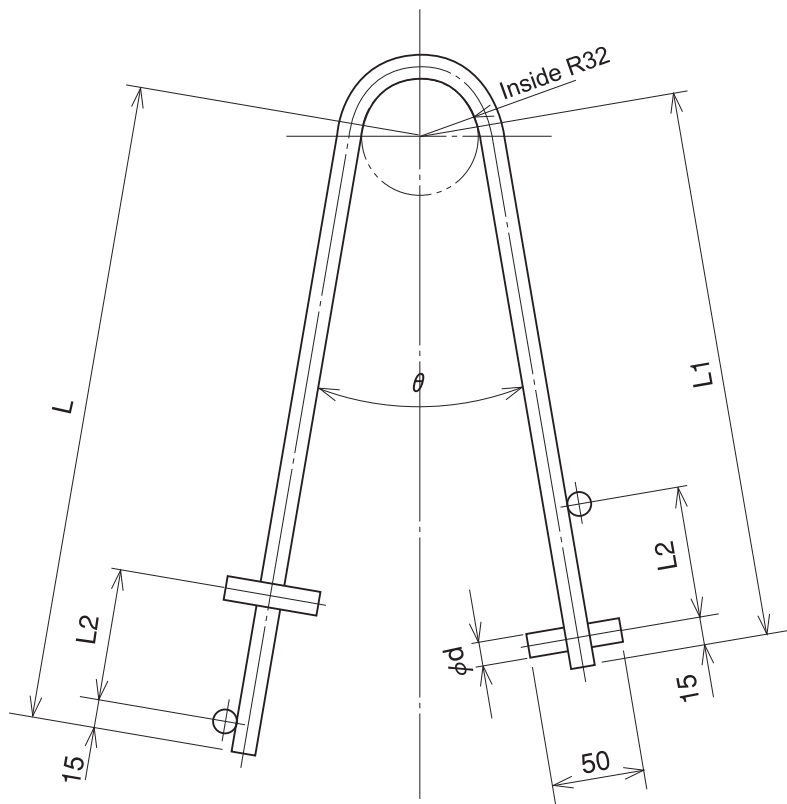


PM1



PM1	Type indication	θ -PM1- ϕd -L-L1-L2-R
-----	-----------------	------------------------------------

Suspended anchor metal (for ceiling)

PM1

Drawing No.

146

NAMITAKIKO CO., LTD.