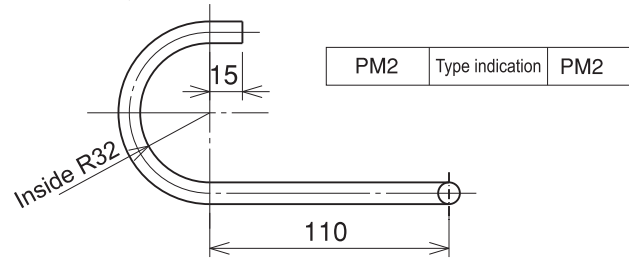
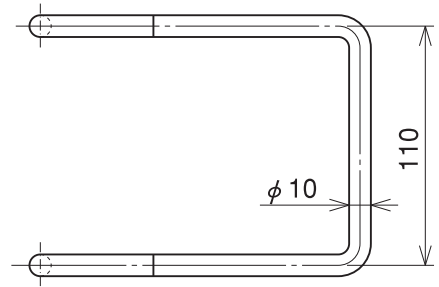
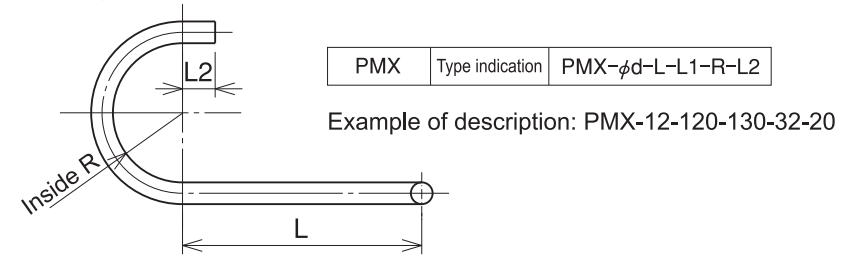
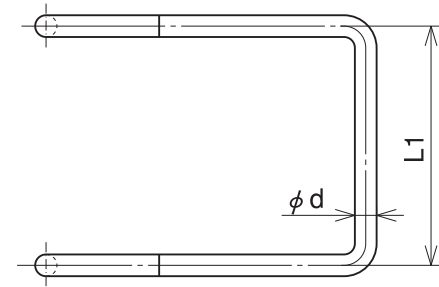


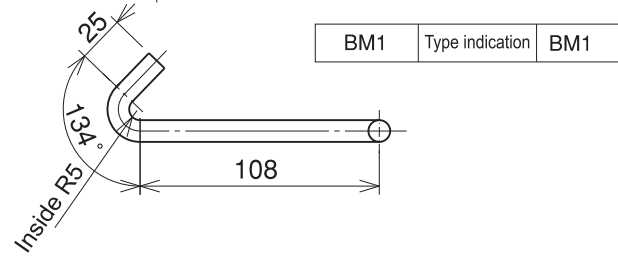
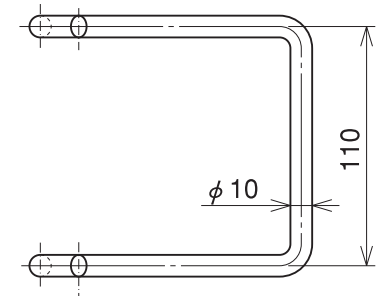
PM2



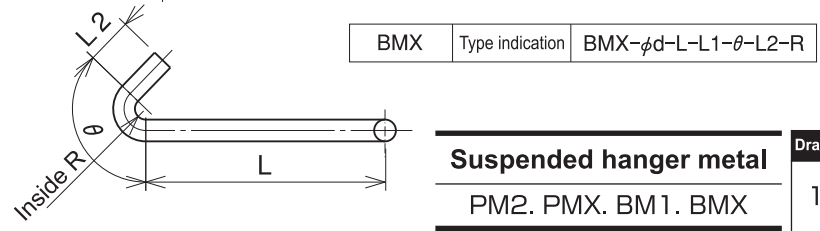
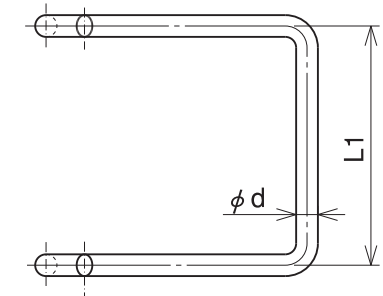
PMX



BM1



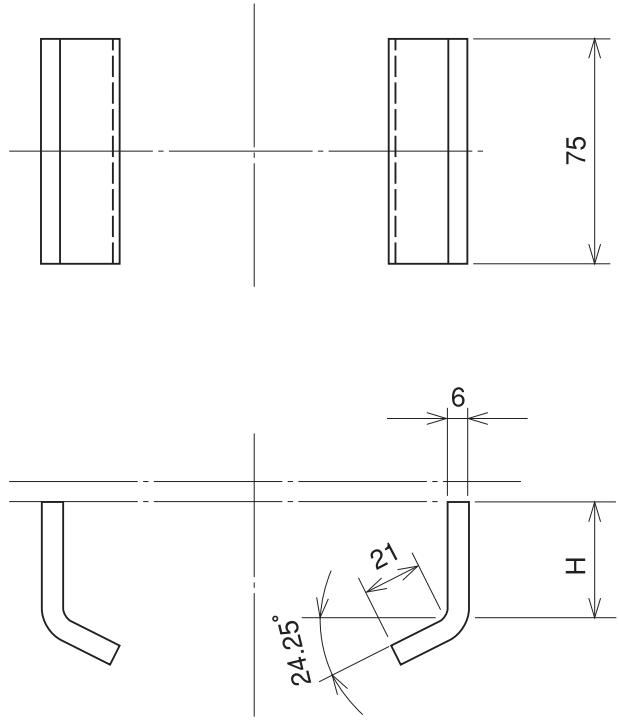
BMX



Suspended hanger metal	Drawing No. 147
PM2. PMX. BM1. BMX	

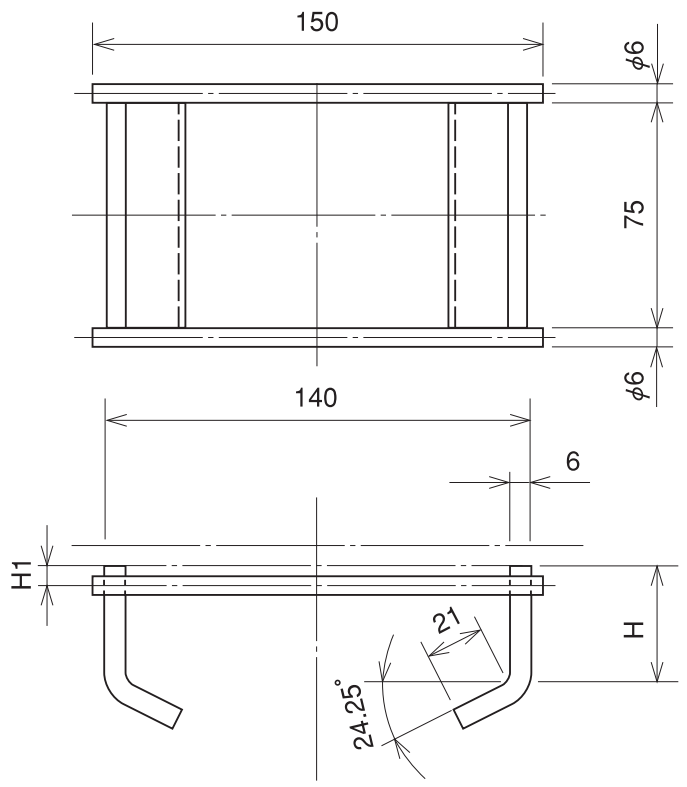
NAMITAKIKO CO., LTD.

HM1



HM1	Type indication	HM1-H
-----	-----------------	-------

HM3

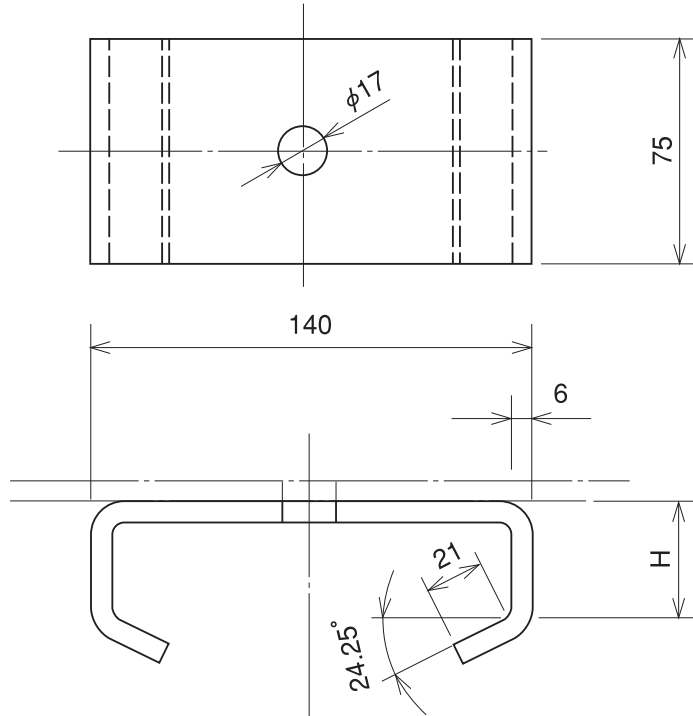


HM3	Type indication	HM3-H-H1
-----	-----------------	----------

Hanger metal	Drawing No.
HM1. HM3	148

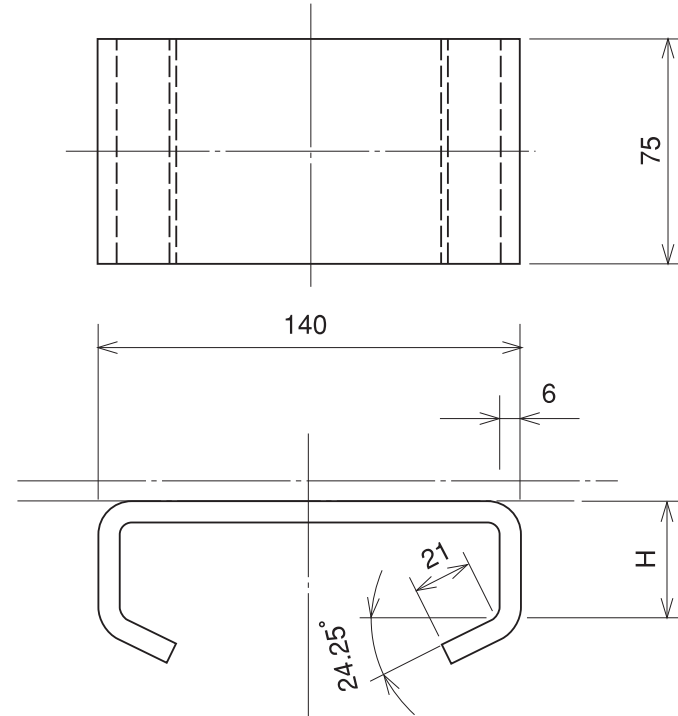
NAMITAKIKO CO., LTD.

CM1



CM1	Type indication	CM1-H
-----	-----------------	-------

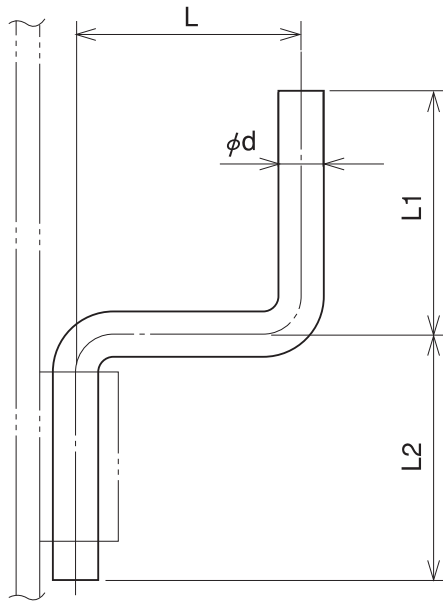
CM2



CM2	Type indication	CM2-H
-----	-----------------	-------

Hanger metal	Drawing No.
CM1. CM2	149
NAMITAKIKO CO., LTD.	

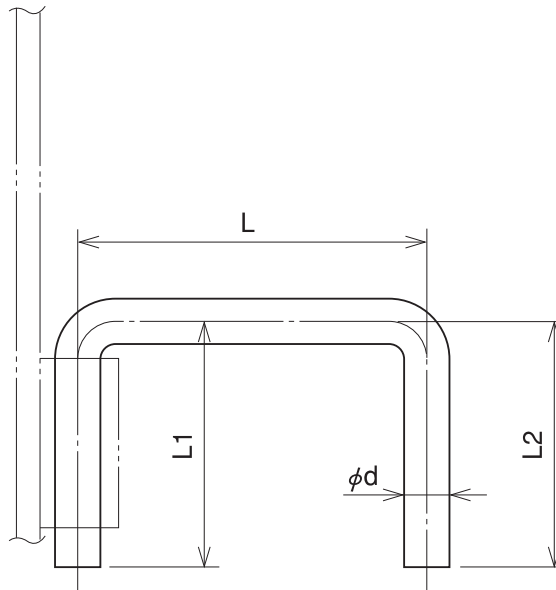
SM2



SM2 Type indication SM2-φ d-L-L1-L2

Diam.	L size	L1 and L2 sizes	
	Min.	Min.	Max.
φ 8	80	20	83
φ 9		25	84
φ 10		30	85
φ 12		35	87
φ 13		40	88
φ 14		40	89
φ 16		45	91

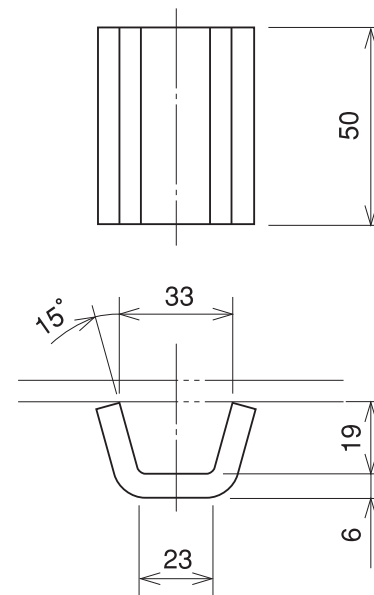
SM3



SM3 Type indication SM3-φ d-L-L1-L2

Diam.	L size	L1 and L2 sizes
	Min.	Max.
φ 8	60	20
φ 9		25
φ 10		30
φ 12		35
φ 13		40
φ 14		40
φ 16		45

UM1



UM1 Type indication UM1

Hanger metal
SM2. SM3. UM1

Drawing No.
150

NAMITAKIKO CO., LTD.