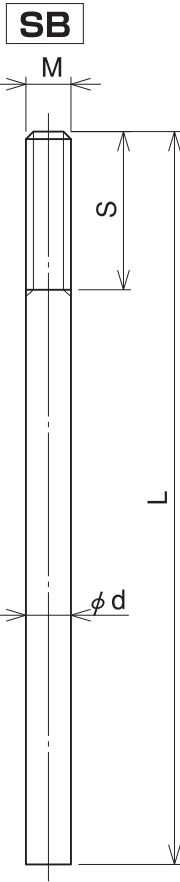
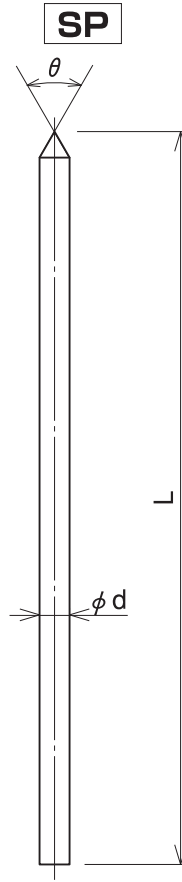


Stud bolt



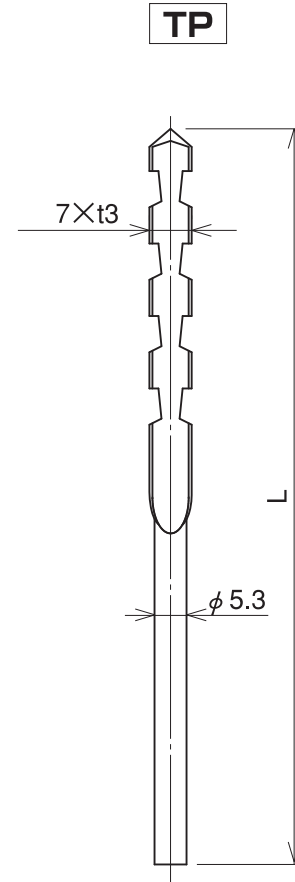
SB	Type indication	SB-φd-L-M-S
SBF	Type indication	SBF-φd-L-M-S

Stud pin



SP	Type indication	SP-φd-L
SPF	Type indication	SPF-φd-L

Twist pin



TP	Type indication	TP-φ5.3-L
TPF	Type indication	TPF-φ5.3-L

Please select combinations of single-end screws, both-end screws, single-end tips, both tips, flux processing, etc.

Stud bolts and pins

SB. SP. TP

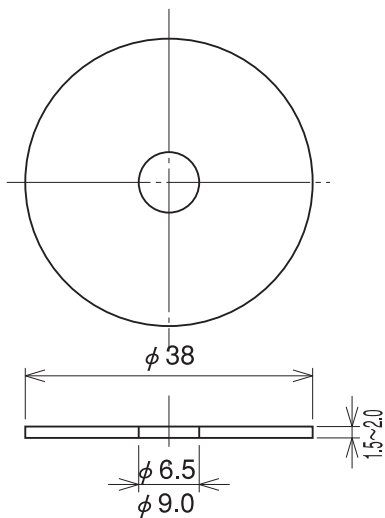
Drawing No.

151

 **NAMITAKIKO CO., LTD.**

Stud bolt washer

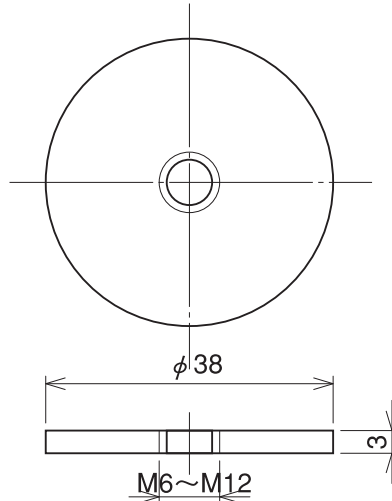
SBW



Washers in other sizes are also producible.

Nut washer

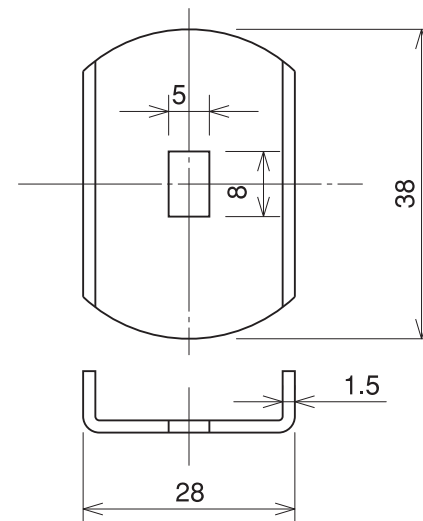
WMN1



Washers in other sizes are also producible.

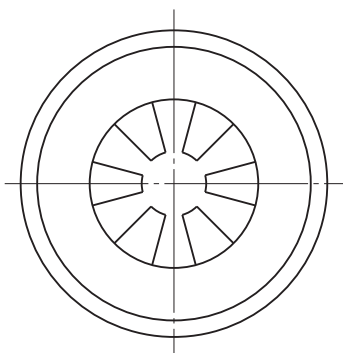
Twist pin washer

TPW



Speed clip

SC



For $\phi 5.3$	Shared
For M6	
For $\phi 6$	
For $\phi 7.1$	Shared
For M8	
For $\phi 8$	Exclusive
For $\phi 8.9$	Shared
For M10	
For $\phi 10$	Exclusive

Washers in other sizes are also producible.

Washers

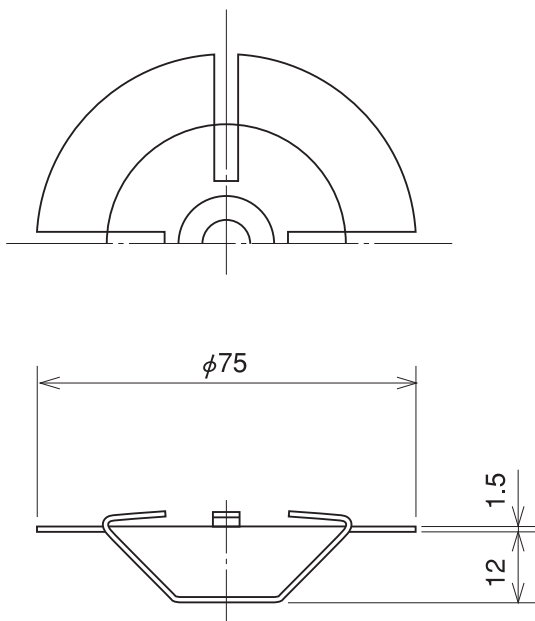
SBW. WMN1. TPW. SC

Drawing No.

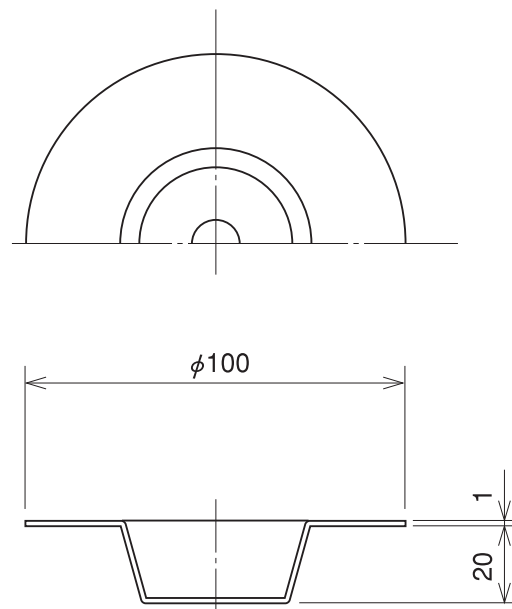
152

 NAMITAKIKO CO., LTD.

Retainer AR



Retainer BR



Retainers	Drawing No.
AR. BR	153
NAMITAKIKO CO., LTD.	