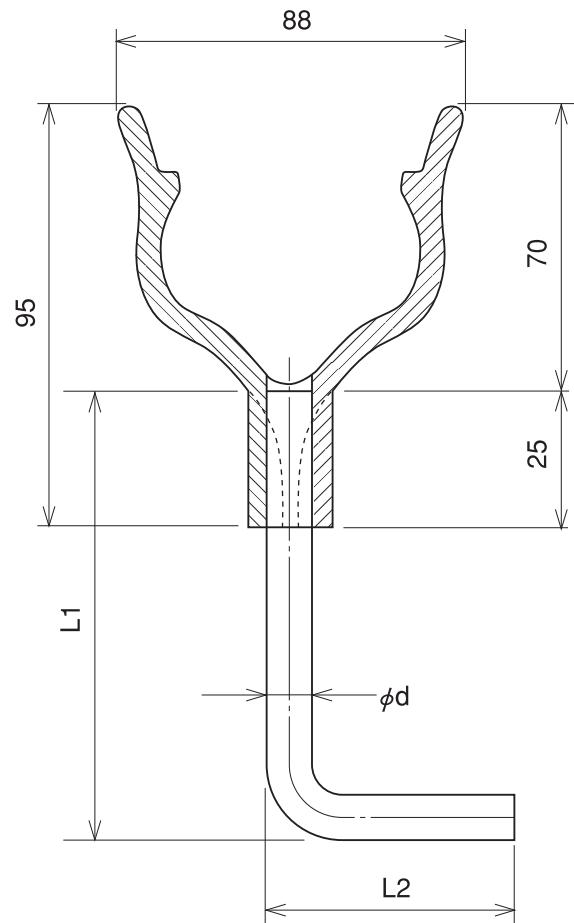


YLM9. 10



YLM9	Type indication	YLM9-φd-L-L2
YLM10	Type indication	YLM10-φd-L-L2

SCH-13
("A" anchor head)

- L2: If not specified, the length is three times the diameter (ϕ).
- (9): The leg's bending direction is at the right angle toward Y.
- (10): The leg's bending direction is parallel toward Y (as shown in this drawing).("A" anchor head)

Headed anchor metal	Drawing No.
YLM9. YLM10	145

NAMITAKIKO CO.,LTD.